



UNITE CO

GRIP RING

Fitting Instructions

CHAIN RINGS

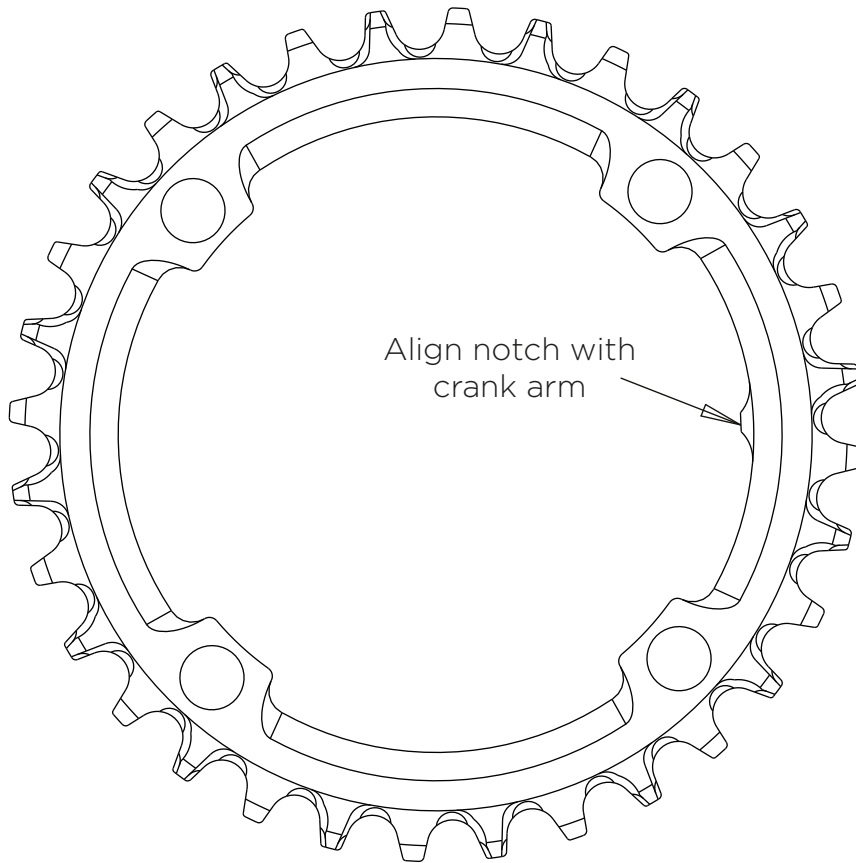
1 | Install the chain ring so the chamfered and engraved face is facing forward, the Unite logo should be positioned opposite the crank arm with part number engraving hidden behind the crank arm (as shown in diagrams on next page).

2 | Install the chain ring bolts in a cross pattern tightening the bolts to the manufacturer's recommended torque normally 10-12 N m depending on bolt material.

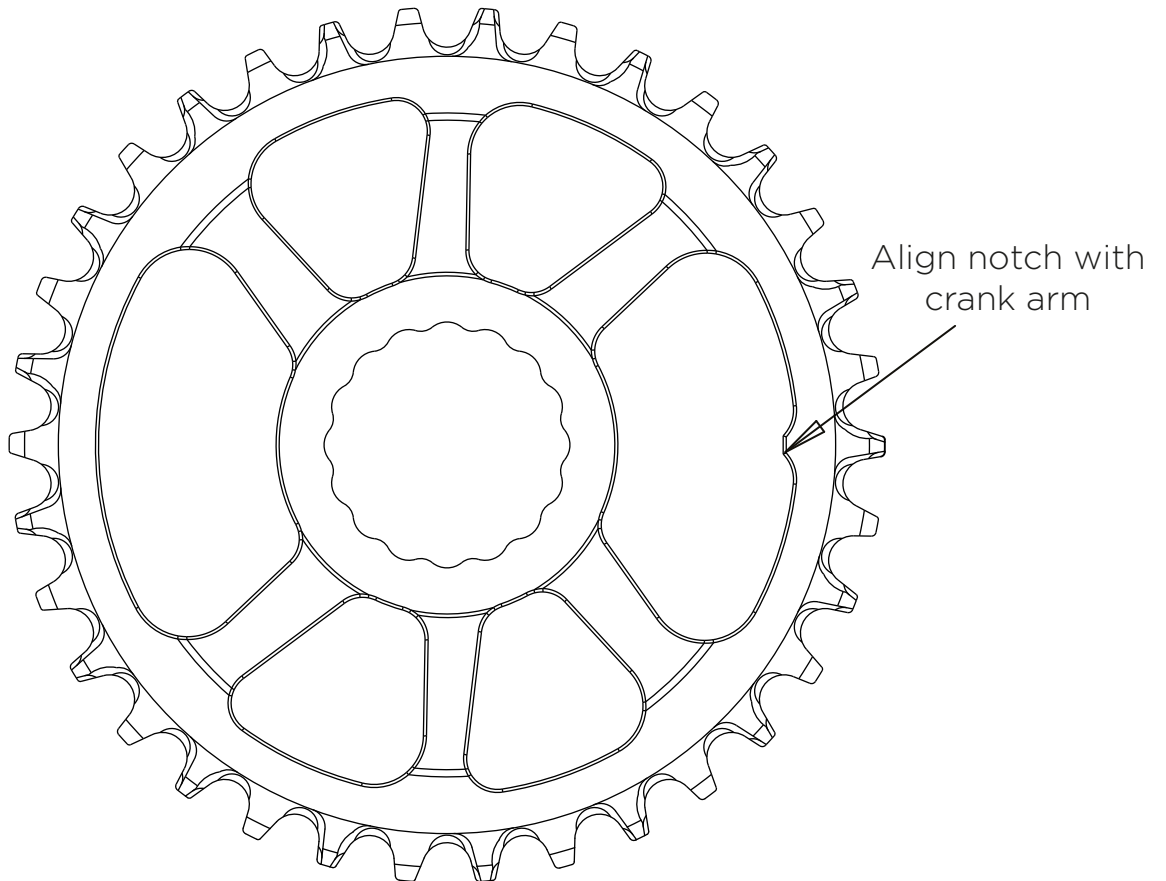
3 | Make sure the chain ring sits flush against the crank arm, there should be no movement.

4 | Maintenance is essential to prolong the life of the chain ring and the rest of the drive train; washing the bike after each ride is recommended followed by a thorough dry down and lube of the drive chain. Its recommended to regularly check the chain wear, replacing a chain at the correct interval will lengthen the life of the chain ring and cassette, we recommend the use of Sram chains for best results with Unite's chain ring.

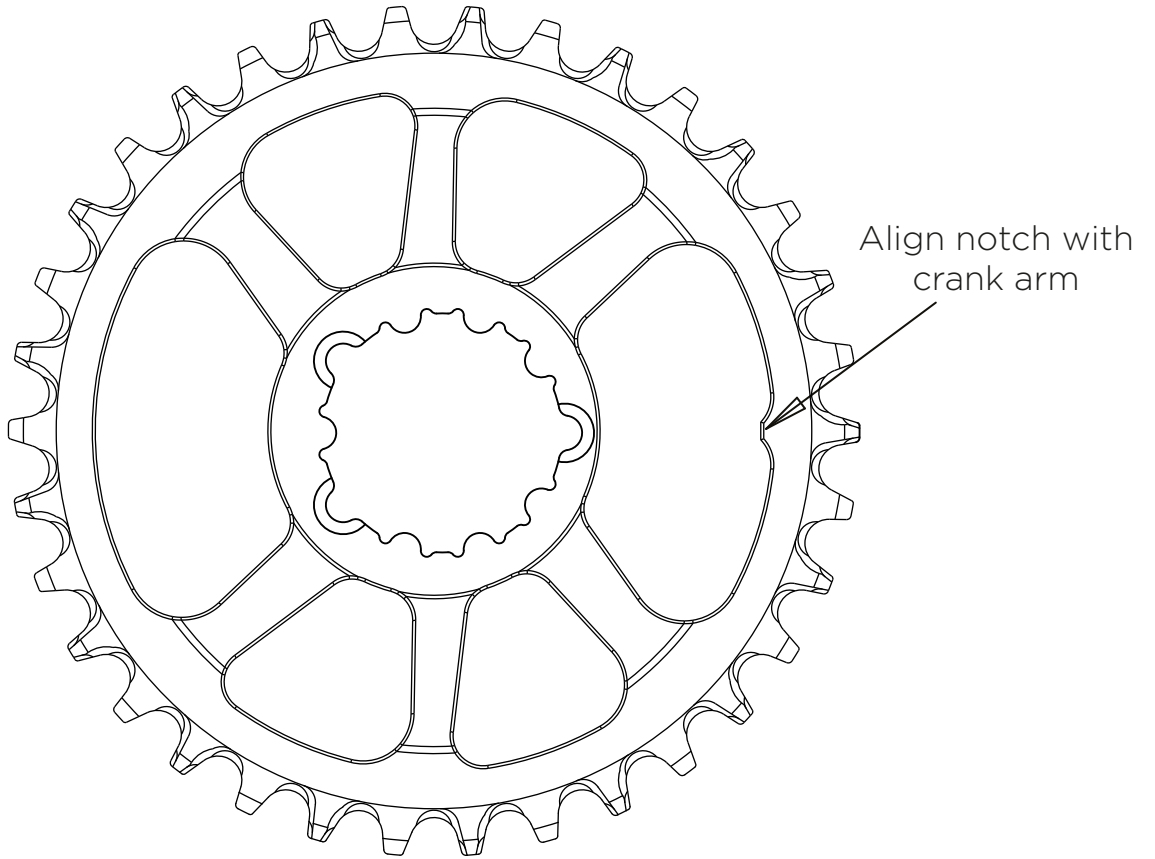
104 BCD GRIP RING



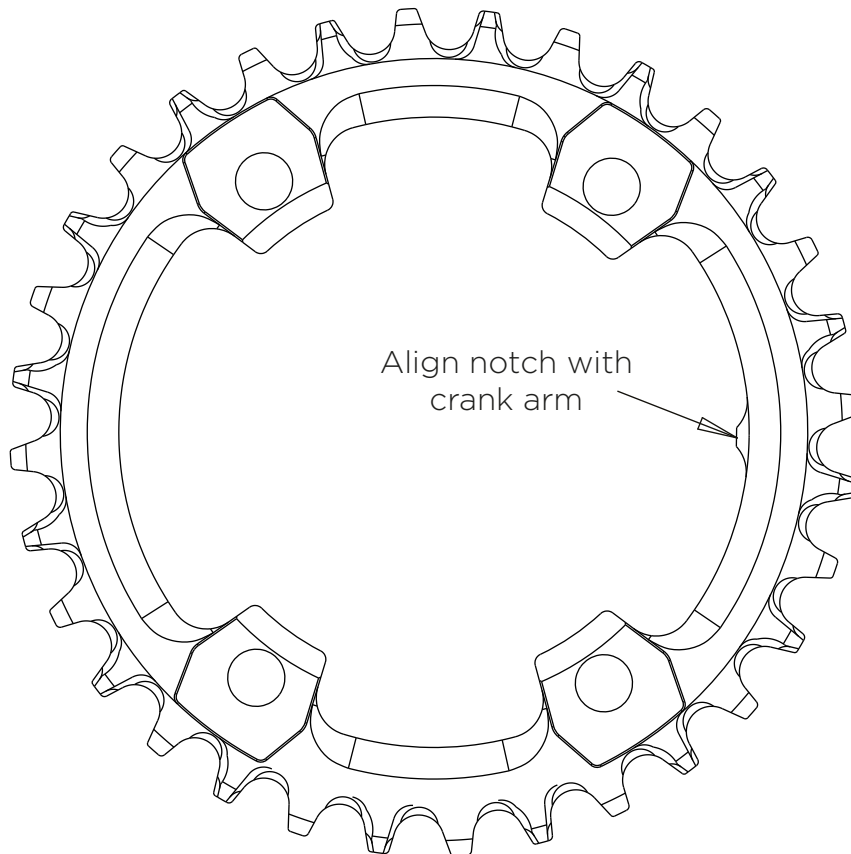
RACEFACE CINCH MOUNT GRIP RING




SRAM DIRECT MOUNT GRIP RING



XTM8000 GRIP RING





 **UNITE**